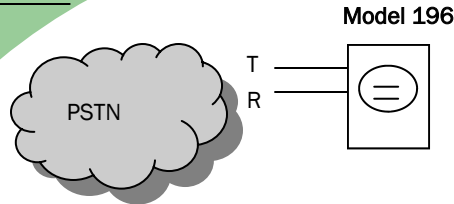


# Ringling Applications

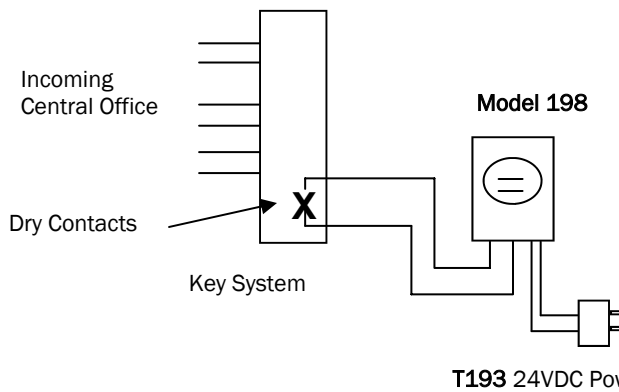
## Central Office



**Product Required:** Model 196 Stinger Ringer

The Model 196 connects directly across the tip and ring of a C.O. line. It does not require external power. It can be plugged into a modular jack as the telephone using a T-Adapter. It operates from 60 to 120 VRMS, 20/30 Hz, ringing voltage.

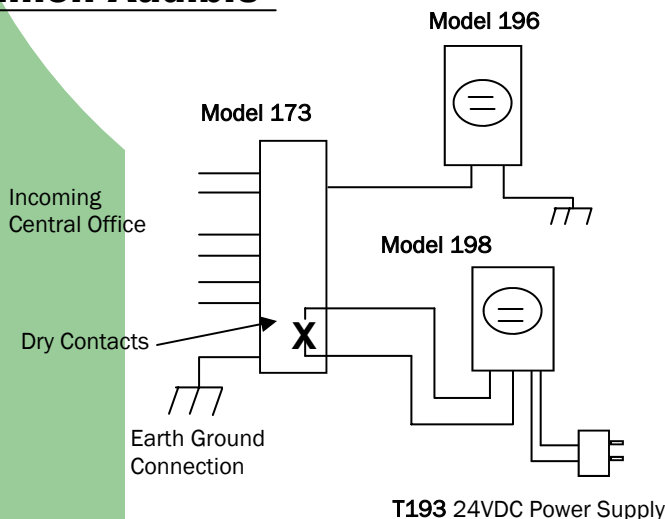
## Key System



**Product Required:** Model 198

The Model 198 needs 24volts DC and a "dry" contact closure to operate. The unit can be order with a power supply (T193) or you can connect it to a local source of 24VDC @250ma. The "dry" contact typically is provided for from within the Key System for common audible. The contact should close anytime an incoming C.O. lines rings, thereby turning on the Model 198 ringer.

## Multiple Line Ringing/ Common Audible



**Products Required:** Model 173 Ringer Matrix, either a Model 196 or Model 198 with power supply.

For applications that require a common audible when any one of a number of C.O. lines ring, the Model 173 can be used, for matrixing three C.O. lines together.

In this application it is very important to ensure the correct DC polarity of all connections on the C.O. lines and that a solid earth ground connection is made. The Models 173 will output both a "dry" contact closure as well as pass the ringing voltage on the C.O. lines.

Either the Model 196 or Model 198 can be used in this application.

When the ringling application is from the station side of a PBX or Key System, it becomes necessary to determine if the ringling signal is analog or digital. Station side applications are very unique given the many different systems there are, but typically a solution can be provided. We are available to consult with you on your specific needs for ringling.

Call or email us at 1-800-654-5604 or sales@dees.com to discuss your application requirements.